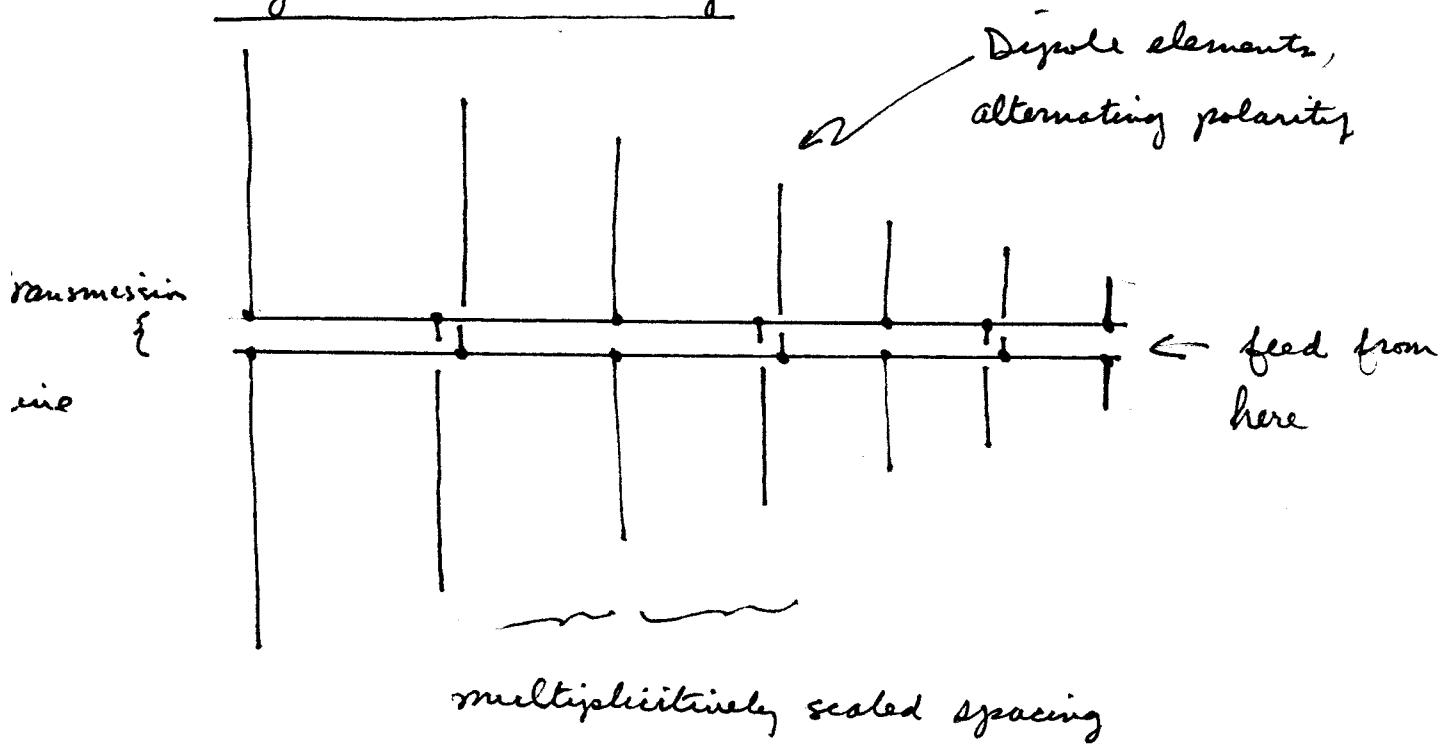
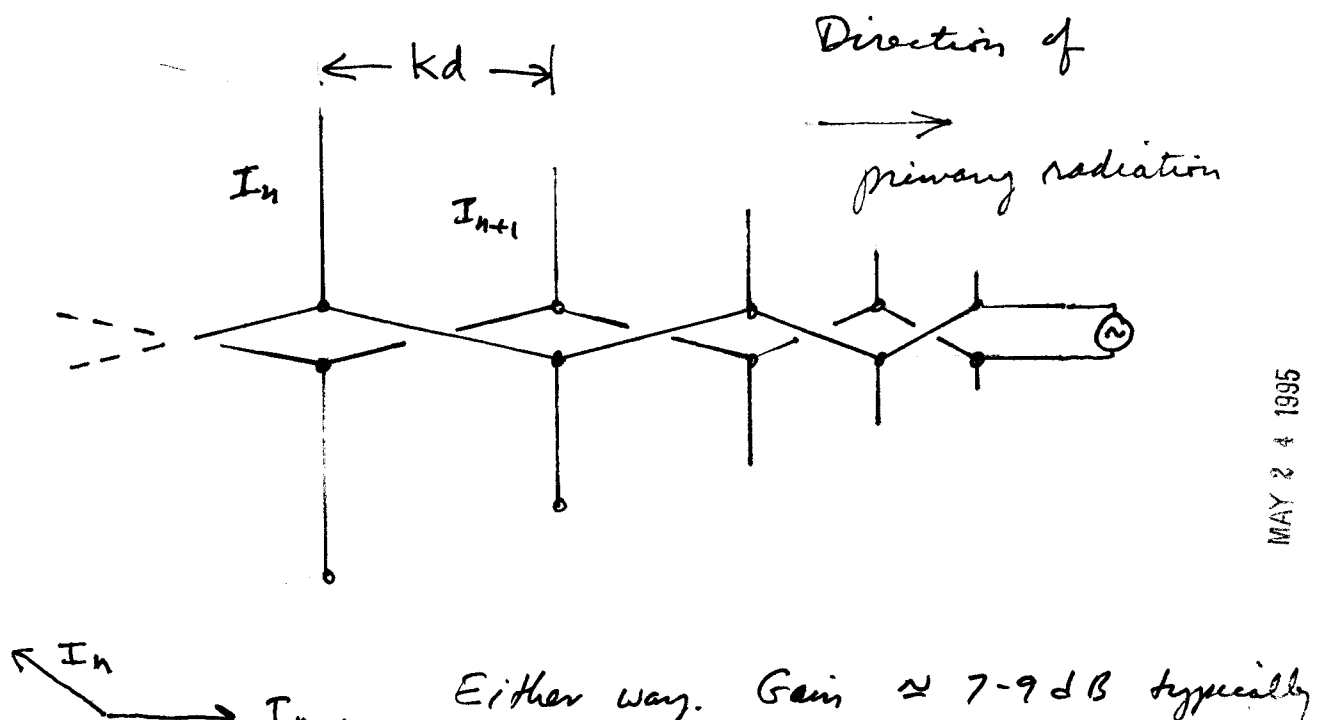


Log - Periodic Array

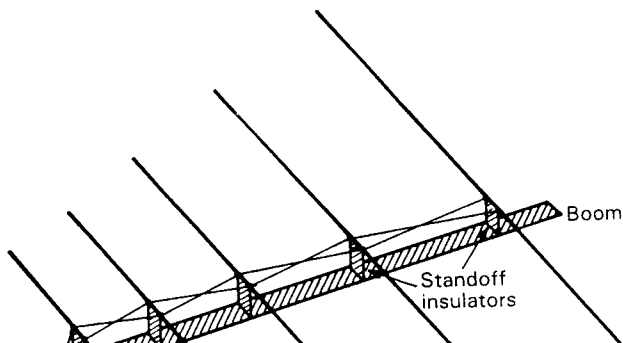
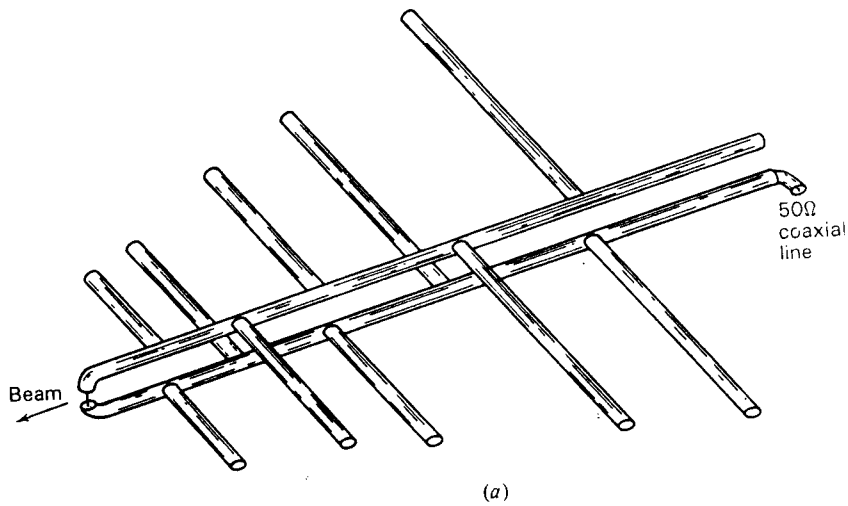
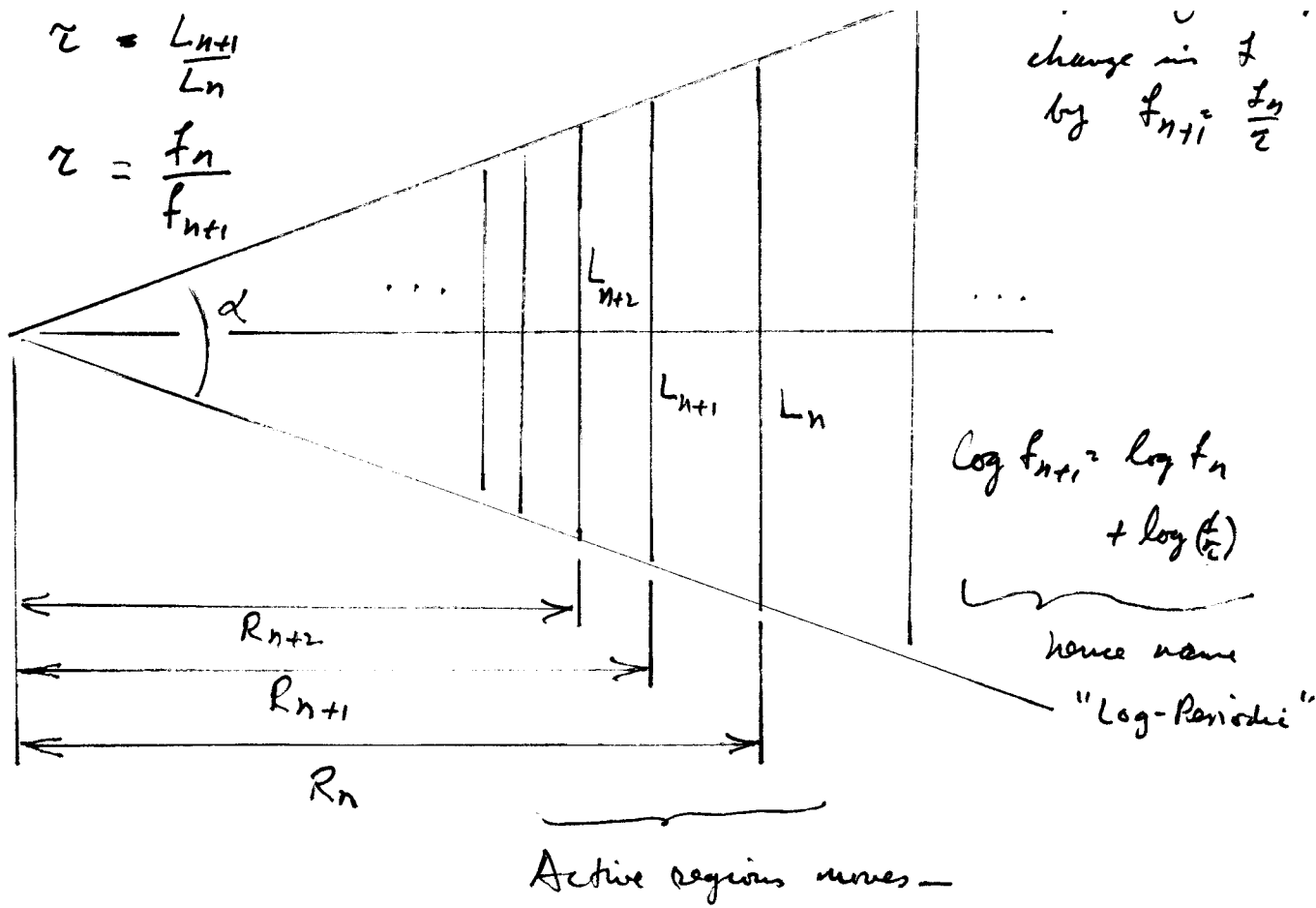


20-2

Alternative connection



MAY 24 1985



Kraus

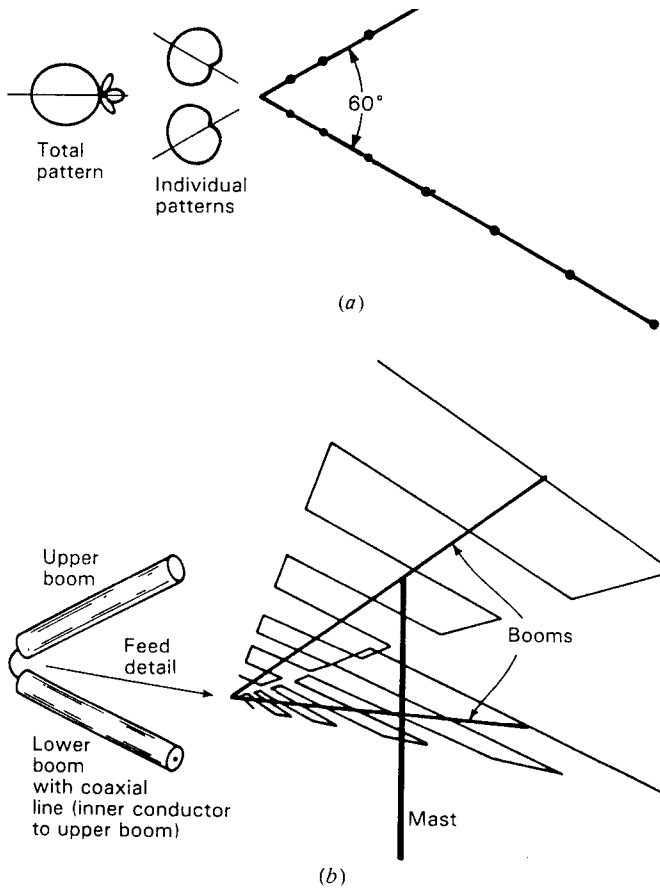
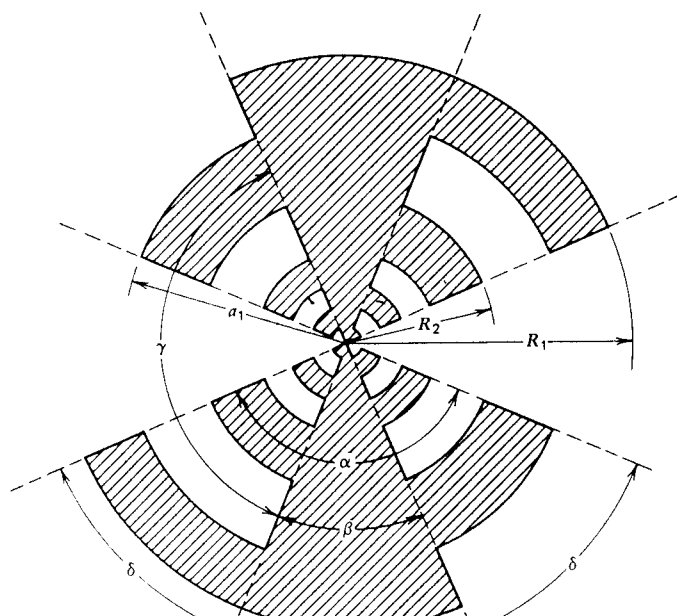


Figure 15-14 Stacked log-periodic arrays, with dipole type, as in Figs. 15-10 and 15-11, at (a) and trapezoidal or edge-fed type at (b).

20-6

Other log-periodic structures



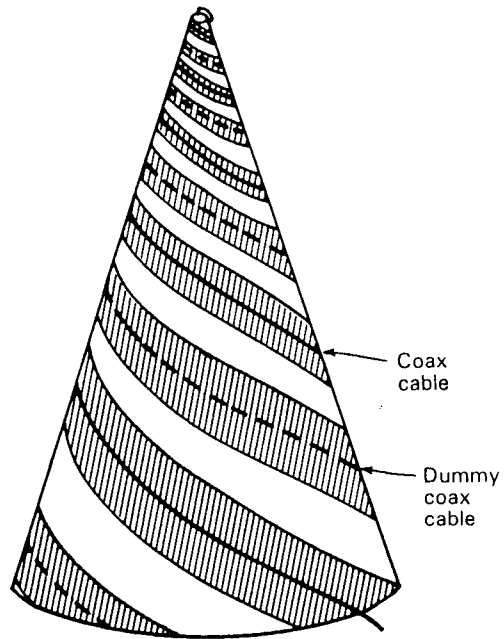


Figure 15-8 Dyson 2-arm balanced conical-spiral (backward-fire) antenna. Polarization is RCP. Inner conductor of coax connects to dummy at apex.

Kraus

20-8

710 15 BROADBAND AND FREQUENCY-INDEPENDENT ANTENNAS

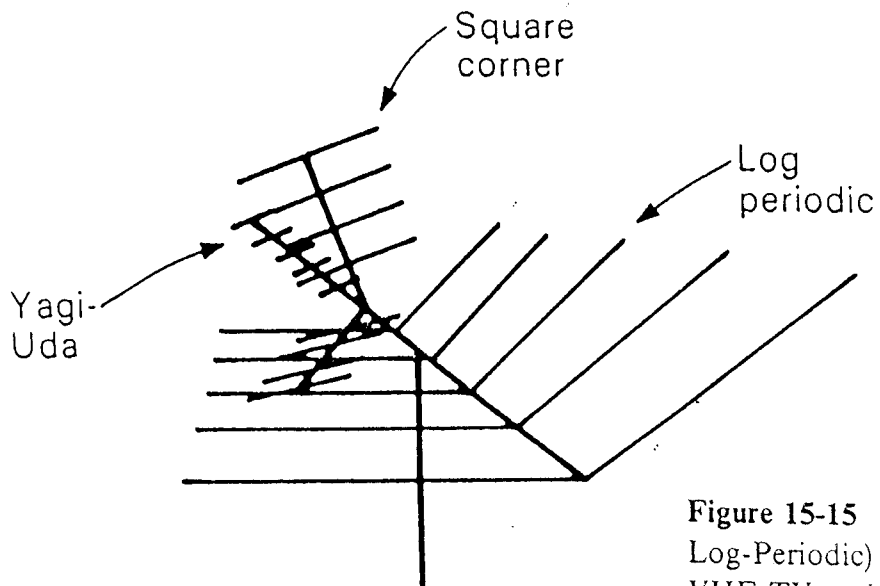


Figure 15-15 YUCOLP (Yagi-Uda-Corner-Log-Periodic) hybrid array for covering U.S. VLF TV and FAX channels.