

# EE276 Homework #5

Due on Friday Feb 23, 5pm

## 1. Polar codes encoding and decoding.

In this problem, we try to understand the polar code encoding and decoding procedure through small examples with block size  $N = 4$ . You will work with the circuit shown in Figure 1. You may want to take a look at the newly posted polar code decoding slides the course website to learn about *successive cancellation decoding*.

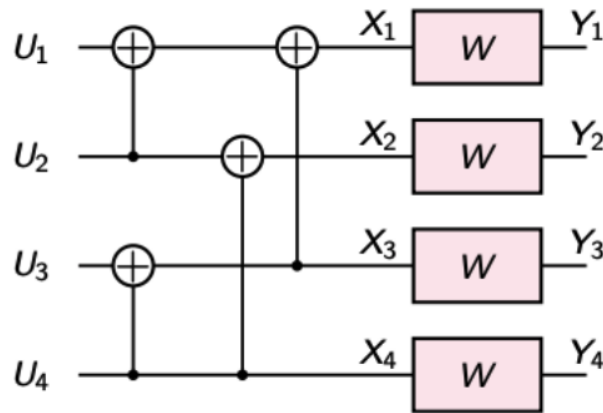


Figure 1: Polar code encoding circuit with  $N = 4$  for problem 2.  $W$  is a BEC, and  $X_i$ 's,  $Y_i$ 's and  $U_i$ 's are binary.

For parts (a) to (c), assume that  $U_1$  and  $U_2$  are both frozen to 0, while  $U_3$  and  $U_4$  are the message bits.

- What is the rate of the code?
- Perform encoding for input message  $(U_3, U_4) = (1, 1)$  and find the codeword  $(X_1, X_2, X_3, X_4)$ .
- Perform successive cancellation decoding for received vector  $(Y_1, Y_2, Y_3, Y_4) = (1, ?, ?, 1)$ . Does the decoding succeed, and if yes, what is the decoded message  $(U_3, U_4)$ ?

Now we try to understand how the choice of the frozen bits impacts the decoding. We also look at the suboptimality of successive cancellation decoding. For parts (d) and (e), assume that  $U_2$  and  $U_3$  are both frozen to 0, while  $U_1$  and  $U_4$  are the message bits.

- Perform successive cancellation decoding for received vector  $(Y_1, Y_2, Y_3, Y_4) = (1, ?, ?, 0)$  and verify that the decoding fails when decoding  $U_1$ .
- Perform optimal maximum likelihood decoding for the same received as part (d), i.e.,  $(Y_1, Y_2, Y_3, Y_4) = (1, ?, ?, 0)$ . In this case, you can perform maximum likelihood decoding by

- First computing the codeword  $(X_1, X_2, X_3, X_4)$  for all 4 possible input messages  $(U_1, U_4)$ .
- Then finding the input message(s)  $(U_1, U_4)$  for which you could receive  $(Y_1, Y_2, Y_3, Y_4) = (1, ?, ?, 0)$ . If more than one such message exists, declare failure.

Does the decoding succeed, and if yes, what is the decoded message  $(U_1, U_4)$ ?

2. **Proving polarization for the BEC.** In polar coding, we preprocess the input so that the  $n$  identical uses of a symmetric memoryless channel become  $n$  synthetic channel uses with very different capacities. We state a polarization theorem, which says that as  $n \rightarrow \infty$ , the fraction of almost noiseless channels approaches  $C$  and the fraction of almost useless channels approaches  $1 - C$ , where  $C$  is the capacity of the original channel. In this question, we consider the binary erasure channel (BEC) with erasure probability  $p$  and prove the polarization theorem rigorously. For the BEC  $\mathcal{W}$  with erasure probability  $p$ , define  $\mathcal{M}(\mathcal{W}) = \sqrt{p(1-p)}$  as its *mediocrity*.

- When is the mediocrity of a channel 0?
- Consider the polarized channels  $\mathcal{W}^+$  and  $\mathcal{W}^-$  we have seen in the class for  $m = 1$ . Are they also BECs? If so, what are  $\mathcal{M}(\mathcal{W}^+)$  and  $\mathcal{M}(\mathcal{W}^-)$ ?
- Recall the tree of channel capacities obtained by recursively applying the polarization formula to the BECs. Suppose an ant walks on the tree of channel capacities starting at  $\mathcal{W}$  and choosing  $\mathcal{W}^+$  and  $\mathcal{W}^-$  with equal probability  $1/2$ . Upon reaching each channel  $\tilde{\mathcal{W}}$  (e.g.,  $\tilde{\mathcal{W}} = \mathcal{W}^+$ ), it chooses  $\tilde{\mathcal{W}}^+$  ( $\mathcal{W}^{++}$ ) and  $\tilde{\mathcal{W}}^-$  ( $\mathcal{W}^{+-}$ ) with equal probability  $1/2$ . Let  $F_m$  denote the distribution of the erasure probabilities for  $n = 2^m$  and let  $F_0 = p$  (with probability 1). What are the distributions  $F_1$  and  $F_2$ ?
- Let  $\mathcal{M}_m$  denote the average mediocrity of the channels for the distribution  $F_m$ . For instance  $\mathcal{M}_0 = \sqrt{p(1-p)}$ . What is  $\mathcal{M}_1$ ? Prove that  $\mathcal{M}_1 \leq \sqrt{\frac{3}{4}}\mathcal{M}_0$ .
- Let  $\rho = \sqrt{\frac{3}{4}}$ . Prove that  $\mathcal{M}_m \leq \rho^m$ .
- Let  $\text{mediocre}(m, \epsilon)$  denote the fraction of the  $n = 2^m$  channels with mediocrity strictly larger than  $\sqrt{\epsilon(1-\epsilon)}$ . Show that  $\text{mediocre}(m, \epsilon) \rightarrow 0$  as  $m \rightarrow \infty$ .
- Let  $g(m, \epsilon)$  and  $b(m, \epsilon)$  denote the fraction of the channels with erasure probability strictly smaller than  $\epsilon$  (i.e., good channels) and strictly larger than  $1 - \epsilon$  (i.e., bad channels) respectively. Show that

$$p \geq b(m, \epsilon)(1 - \epsilon).$$

(Hint: recall that the expected erasure probability under  $F_m$  is the same for all  $m$  and equal to  $p$ .)

- Define  $g(\epsilon) := \lim_{m \rightarrow \infty} g(m, \epsilon)$ . Argue that  $g(m, \epsilon) \geq g(m, \delta)$  for any  $\epsilon \geq \delta$ . Conclude that  $g(\epsilon) \geq g(\delta)$  for any  $\epsilon \geq \delta$ .
- Prove that  $g(\epsilon) \geq 1 - p$ . Thus, for any given  $\epsilon \in (0, 1)$ , the fraction  $g(\epsilon)$  of good channels becomes at least  $C = 1 - p$  as  $m \rightarrow \infty$ .