



Sun Preservation and Archiving Special Interest Group

**Chronopolis Digital Preservation Consortium
NDIIPP Program**

Robert H. McDonald

San Diego Supercomputer Center

UC San Diego

mcdonald@sdsc.edu

David Minor

San Diego Supercomputer Center

UC San Diego

minor@sdsc.edu

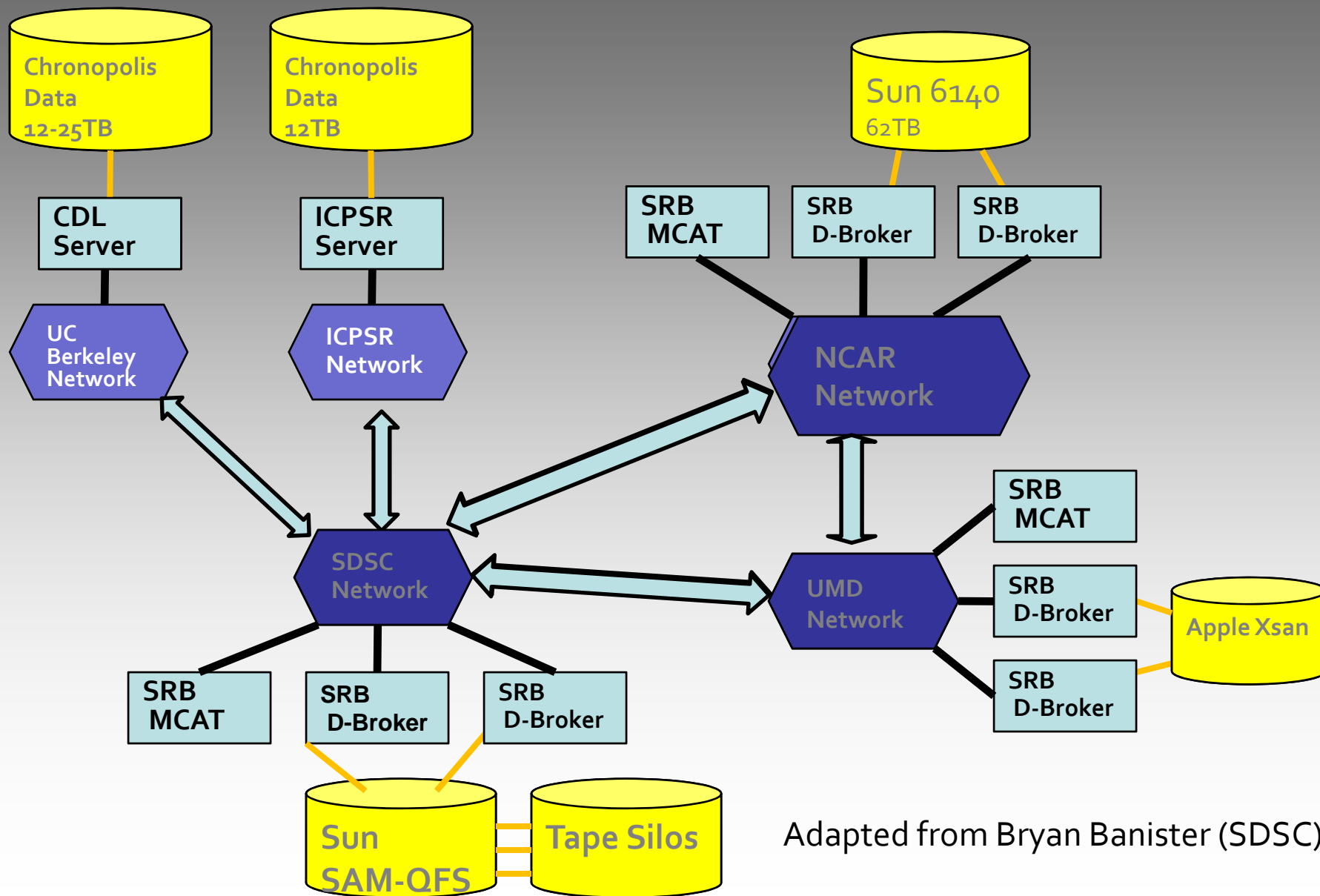


SDSC SAN DIEGO SUPERCOMPUTER CENTER

NDIIPP Chronopolis Project

- **Creating a 3-node federated data grid at SDSC, NCAR and UMD – up to 50 TB data from CDL and ICPSR**
- **Installing and testing a suite of monitoring tools using ACE, PAWN, INCA**
- **Creating Appropriate Transmission Information Packages**
- **Generating PREMIS definitions for data**
- **Writing Best Practices documents for clients and partners**

Chronopolis Grid Framework



Adapted from Bryan Banister (SDSC)

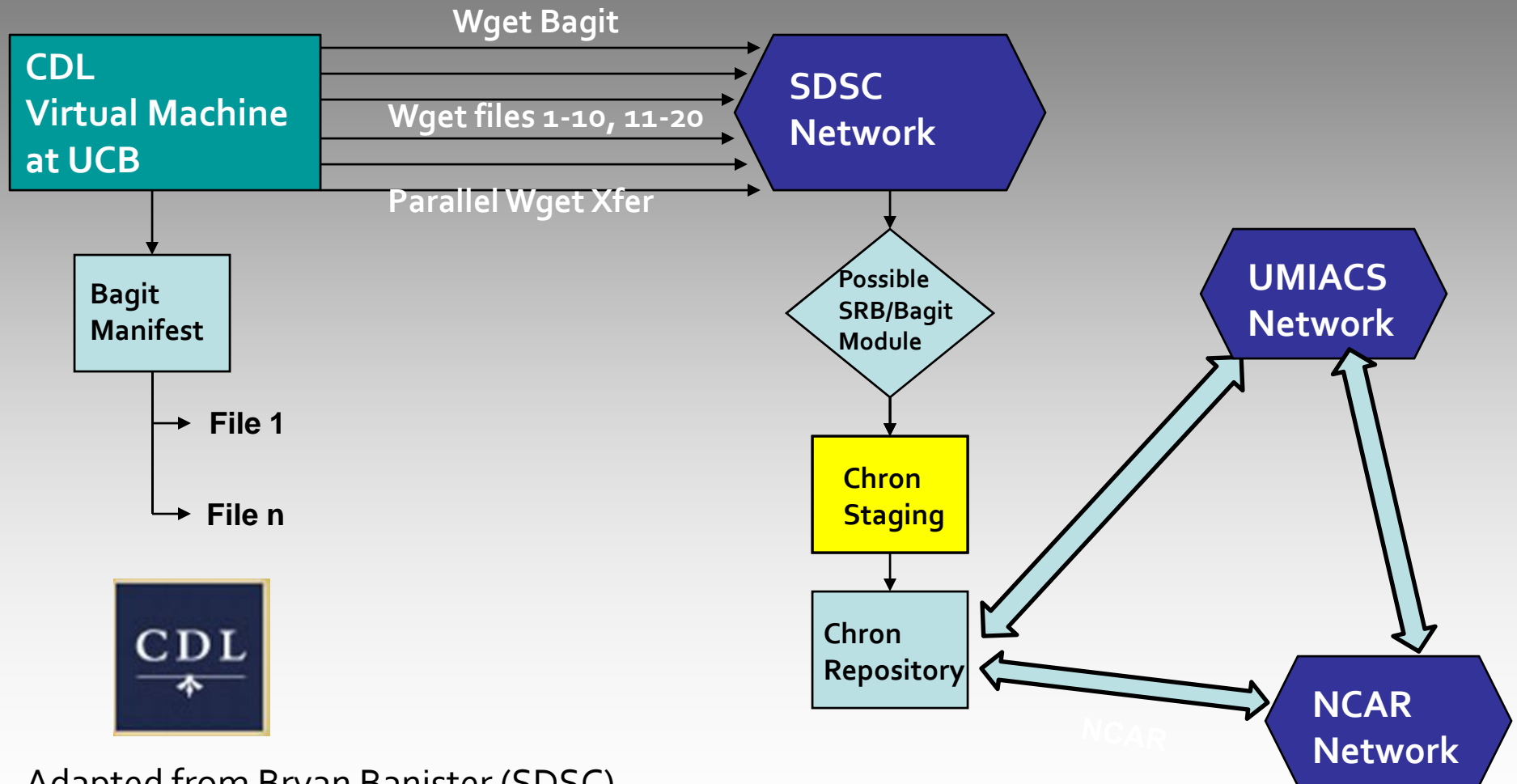
NDIIPP Chronopolis Clients-CDL

California Digital Library

- A part of UCOP, supports the University of California libraries
- Providing up to 25TB of data: Archived Web Sites
 - Five years of political and governmental websites
 - ARC files created from web crawls
 - Using Bagit Transfer Structure



Diagram: CDL Data Transfer



Adapted from Bryan Banister (SDSC)

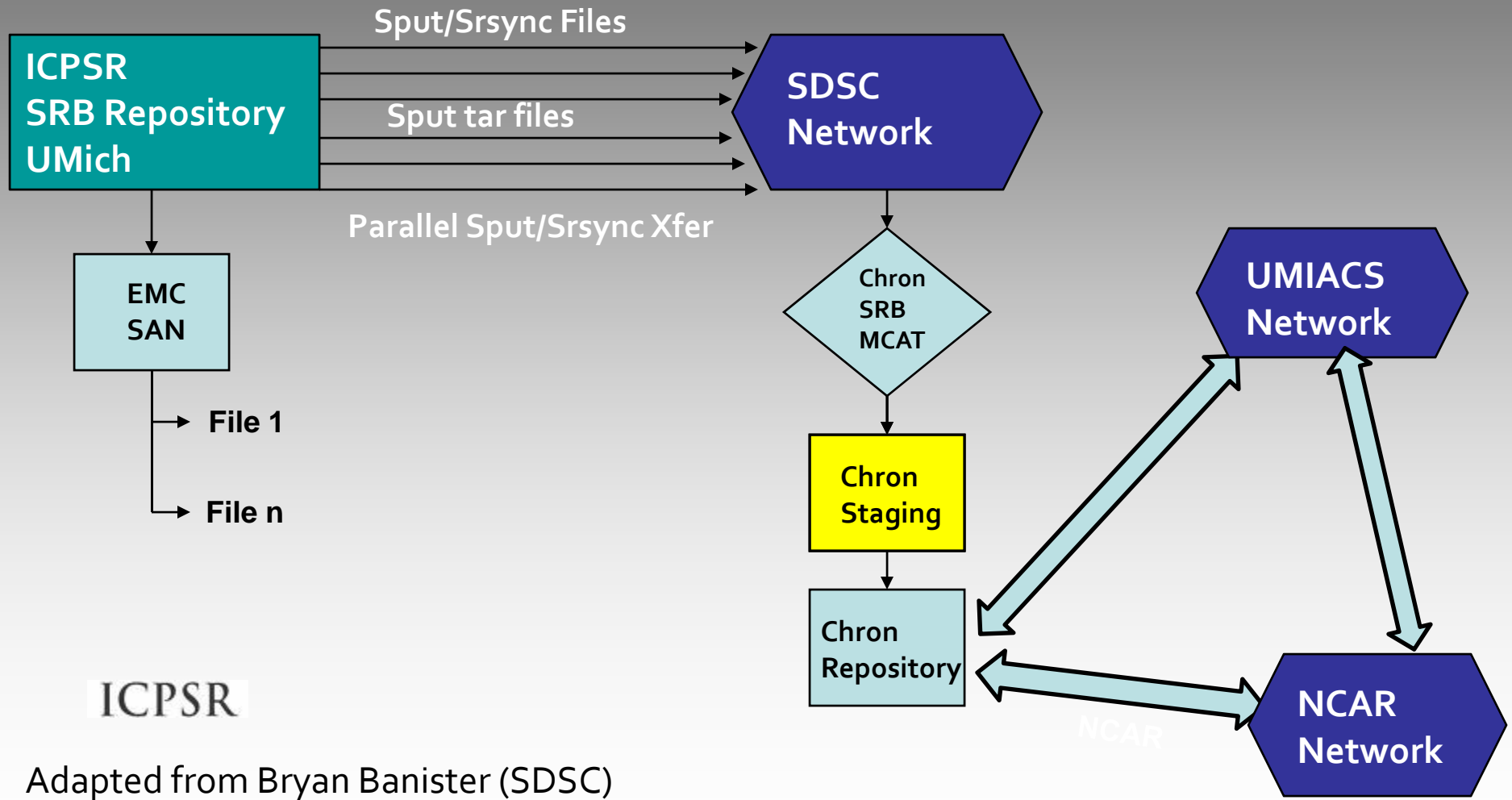
NDIIPP Chronopolis Clients-ICPSR

Inter-University Consortium for Political and Social Research, University of Michigan

- Providing up to 12TB of data: Wide variety of types
- Already working with SDSC using SRB

ICPSR

Diagram: ICSPR DataTransfer



Ongoing and Future Initiatives

- **Migration of Chronopolis Grid from SRB to iRODS**
- **Develop Interoperability with Community Based Archival Systems/Standards**
 - DataNet
 - NDIIPP
 - State Archive E-Records
- **TRAC compliance for SDSC Production Preservation Services/Chronopolis Consortium**

Looking for Partnerships

- Repositories interested in moving large digital collections among heterogeneous repository systems.
- Fedora, DSpace or E-Prints sites interested in managed datagrid storage.
- Institutions interested in personnel swaps to conduct TRAC audit assessment compliance.
- Community Needs for Mass-Scale Data Transmission and Storage.

Chronopolis NDIIPP Credits

SDSC

- Fran Berman
- Richard Moore
- David Minor
- Chris Jordan
- Jim D'Aoust
- Robert McDonald
- Don Sutton
- Brian Banister
- Phong Dinh
- Jay Dombrowski
- Emilio Valente

UCSD Libraries

- Brian Schottlaender
- Luc Declerck
- Ardys Kozbial
- Brad Westbrook
- Arwen Hutt

NCAR

- Don Middleton
- Michael Burek
- Linda McGinley

UMIACS

- Joseph JaJa
- Mike Smorul
- Mike McGann

Library of Congress

- Martha Anderson
- Lisa Hoppis

CACI

- Mike Ivey

<http://chronopolis.sdsc.edu>

