

DATA SHEET

NE558

Quad timer

Product data
Supersedes data of 1994 Aug 31
File under Integrated Circuits, IC11 Data Handbook

2001 Aug 03

Quad timer

NE5558

DESCRIPTION

The NE558 Quad Timers are monolithic timing devices which can be used to produce four independent timing functions. The NE558 output sinks current. These highly stable, general purpose controllers can be used in a monostable mode to produce accurate time delays—from microseconds to hours. In the time delay mode of operation, the time is precisely controlled by one external resistor and one capacitor. A stable operation can be achieved by using two of the four timer sections.

The four timer sections in the NE558 are edge-triggered; therefore, when connected in tandem for sequential timing applications, no coupling capacitors are required. Output current capability of 100 mA is provided in both devices.

FEATURES

- 100 mA output current per section
- Edge-triggered (no coupling capacitor)
- Output independent of trigger conditions
- Wide supply voltage range 4.5 V to 16 V
- Timer intervals from microseconds to hours
- Time period equals RC
- Military qualifications pending.

APPLICATIONS

- Sequential timing
- Time delay generation
- Precision timing
- Industrial controls
- Quad one-shot.

ORDERING INFORMATION

DESCRIPTION	TEMPERATURE RANGE	ORDER CODE	DWG #
16-Pin Plastic Small Outline Large (SOL) Package	0 to +70 °C	NE558D	SOT162-1
16-Pin Plastic Dual In-Line Package (DIP)	0 to +70 °C	NE558N	SOT38-4

ABSOLUTE MAXIMUM RATINGS

SYMBOL	PARAMETER	RATING	UNIT
V _{CC}	Supply voltage	+16	V
P _D	Maximum power dissipation T _{amb} = 25 °C ambient (still-air) ¹ N package D package	1450 1090	mW mW
T _{amb}	Operating ambient temperature range	0 to +70	°C
T _{stg}	Storage temperature range	-65 to +150	°C
T _{slid}	Lead soldering temperature (10 sec max)	+230	°C

NOTES:

1. Derate above 25 °C, at the following rates:
N package at 11.6 mW/°C
D package at 8.7 mW/°C

PIN CONFIGURATION

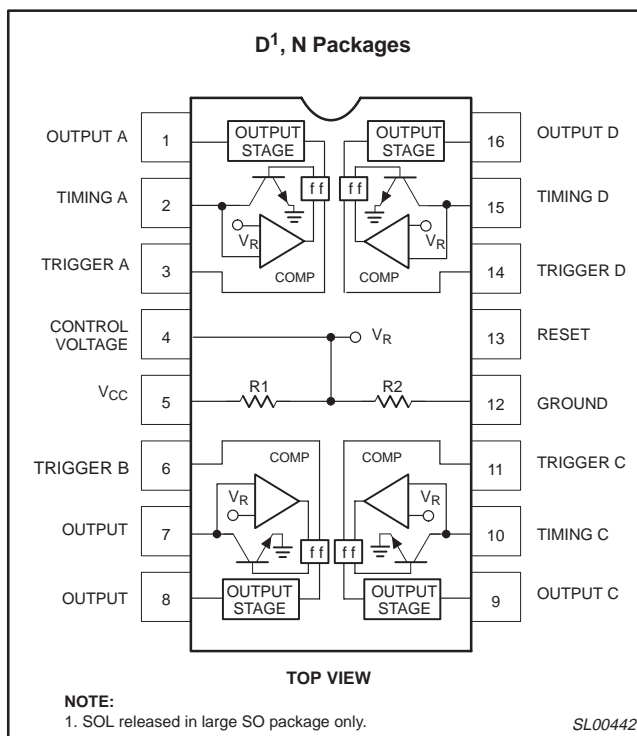


Figure 1. Pin configuration.

Quad timer

NE558

DC AND AC ELECTRICAL CHARACTERISTICS

$T_{amb} = 25\text{ }^{\circ}\text{C}$, $V_{CC} = +5\text{ V to }+15\text{ V}$, unless otherwise specified.

SYMBOL	PARAMETER	TEST CONDITIONS	Min	Typ	Max	UNIT
V_{CC}	Supply voltage		4.5		16	V
I_{CC}	Supply current	$V_{CC} = \text{Reset} = 15\text{ V}$		16	36	mA
t_A	Timing accuracy ($t = RC$)	$R = 2\text{ k}\Omega$ to $100\text{ k}\Omega$; $C = 1\text{ }\mu\text{F}$		± 2	5	%
$\Delta t_A/\Delta T$	Initial accuracy			30	150	ppm/ $^{\circ}\text{C}$
$\Delta t_A/\Delta V_S$	Drift with temperature			0.1	0.9	%/V
V_{TRIG}	Trigger voltage ¹	$V_{CC} = 15\text{ V}$	0.8		2.4	V
I_{TRIG}	Trigger current	Trigger = 0 V		5	100	μA
V_{RESET}	Reset voltage ²		0.8		2.4	V
I_{RESET}	Reset current	Reset		50	500	μA
V_{TH}	Threshold voltage			$0.63 \times V_{CC}$		V
	Threshold leakage			15		nA
V_{OUT}	Output voltage ³	$I_L = 10\text{ mA}$		0.1	0.4	V
		$I_L = 100\text{ mA}$		1.0	2.0	V
	Output leakage			10	500	nA
t_{PD}	Propagation delay			1.0		μs
t_R	Rise time of output	$I_L = 100\text{ mA}$		100		ns
t_F	Fall time of output	$I_L = 100\text{ mA}$		100		ns

NOTES:

1. The trigger functions only on the falling edge of the trigger pulse only after previously being HIGH. After reset, the trigger must be brought HIGH and then LOW to implement triggering.
2. For reset below 0.8 V, outputs set LOW and trigger inhibited. For reset above 2.4 V, trigger enabled.
3. The NE558 output structure is open-collector, which requires a pull-up resistor to V_{CC} to sink current. The output is normally LOW sinking current.

Quad timer

NE555

NE555 EQUIVALENT CIRCUIT

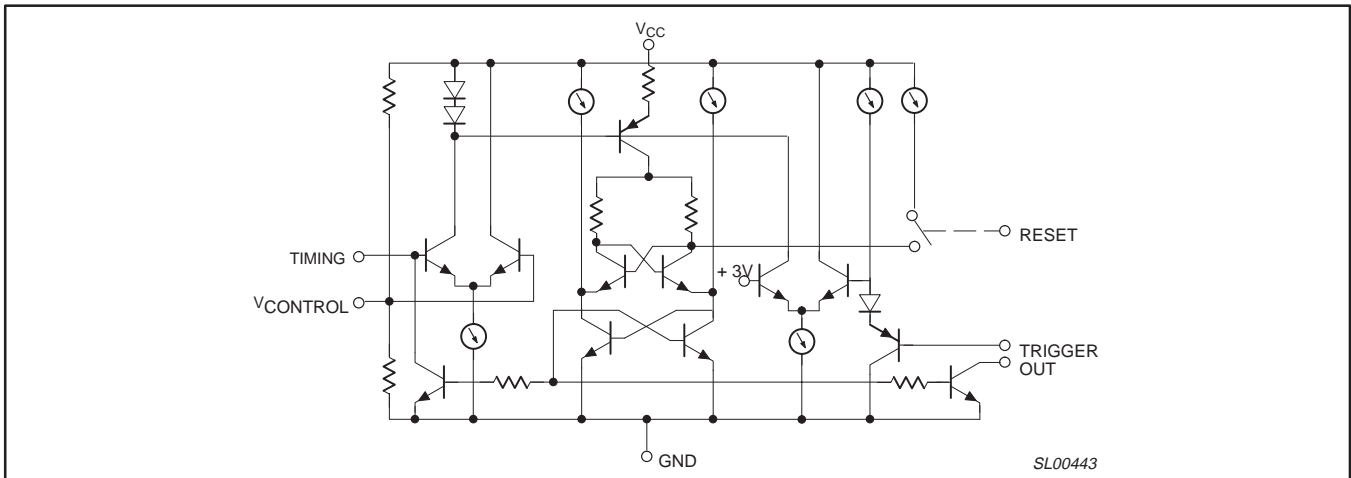


Figure 2. NE555 equivalent circuit.

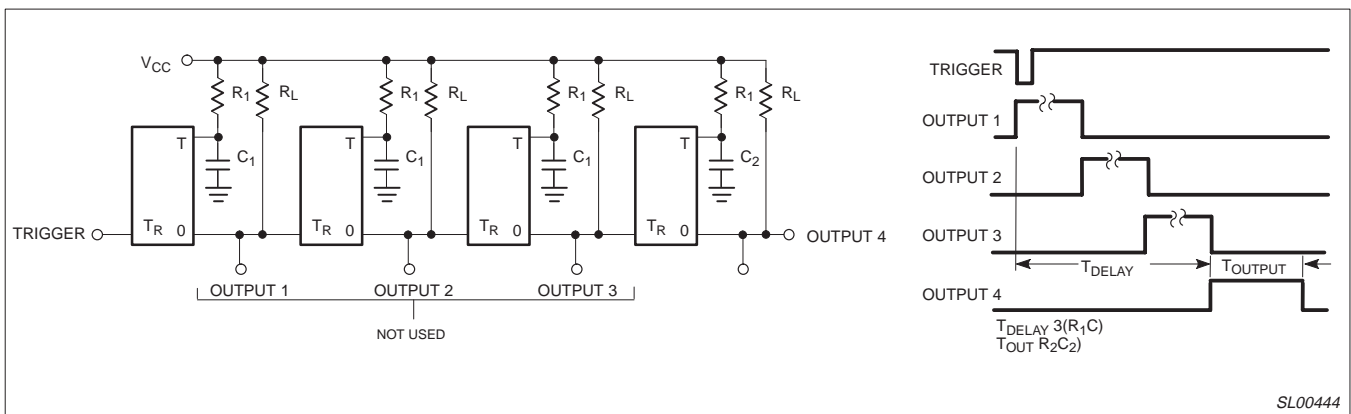


Figure 3. Long-time delay.

Quad timer

NE555

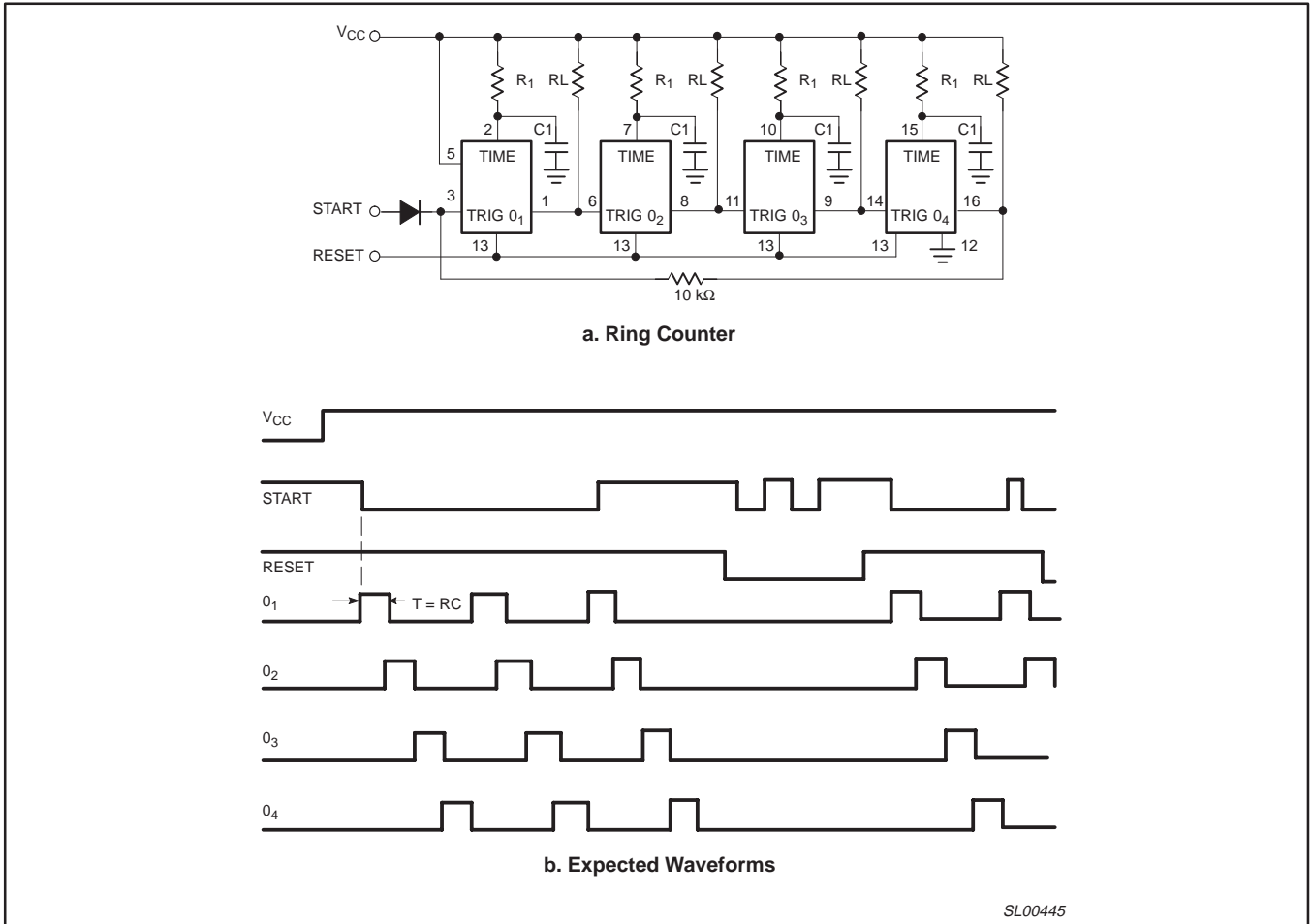


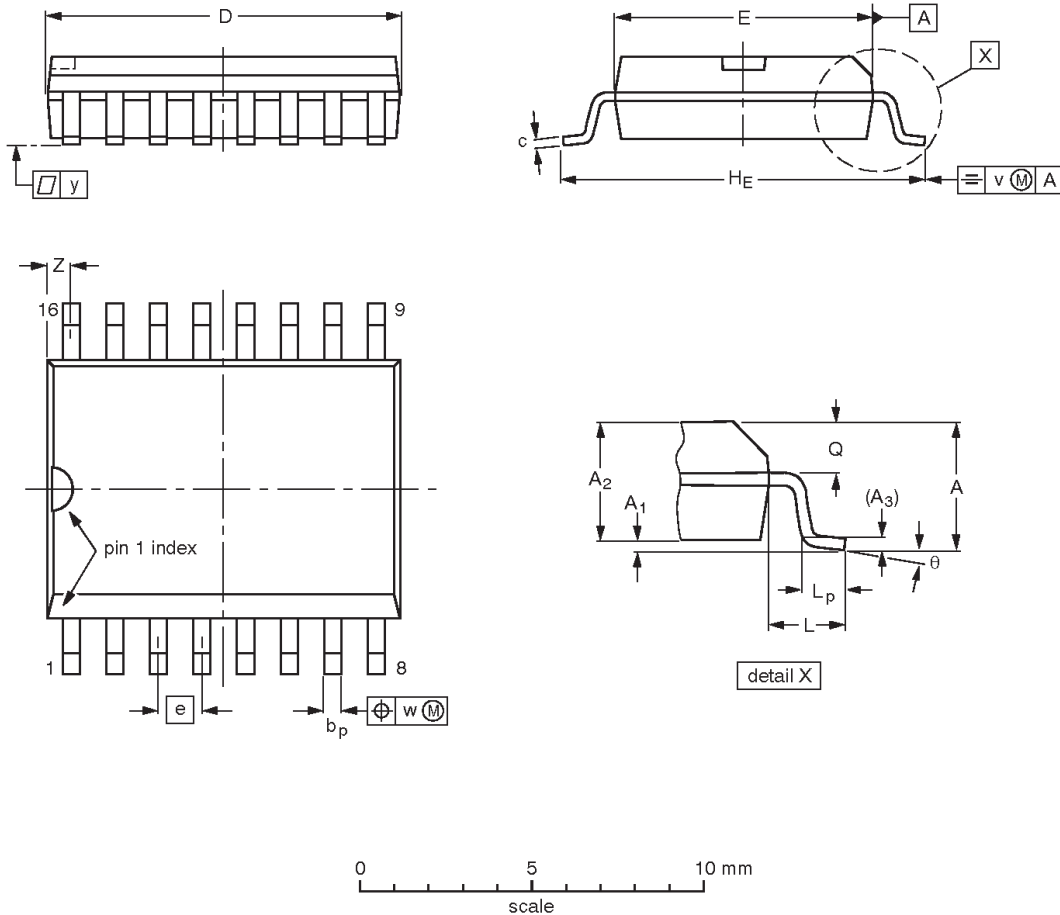
Figure 4.

Quad timer

NE558

SO16: plastic small outline package; 16 leads; body width 7.5 mm

SOT162-1



DIMENSIONS (inch dimensions are derived from the original mm dimensions)

UNIT	A max.	A ₁	A ₂	A ₃	b _p	c	D ⁽¹⁾	E ⁽¹⁾	e	H _E	L	L _p	Q	v	w	y	Z ⁽¹⁾	θ
mm	2.65	0.30 0.10	2.45 2.25	0.25	0.49 0.36	0.32 0.23	10.5 10.1	7.6 7.4	1.27	10.65 10.00	1.4	1.1 0.4	1.1 1.0	0.25	0.25	0.1	0.9 0.4	8° 0°
inches	0.10	0.012 0.004	0.096 0.089	0.01	0.019 0.014	0.013 0.009	0.41 0.40	0.30 0.29	0.050	0.419 0.394	0.055	0.043 0.016	0.043 0.039	0.01	0.01	0.004	0.035 0.016	

Note

1. Plastic or metal protrusions of 0.15 mm maximum per side are not included.

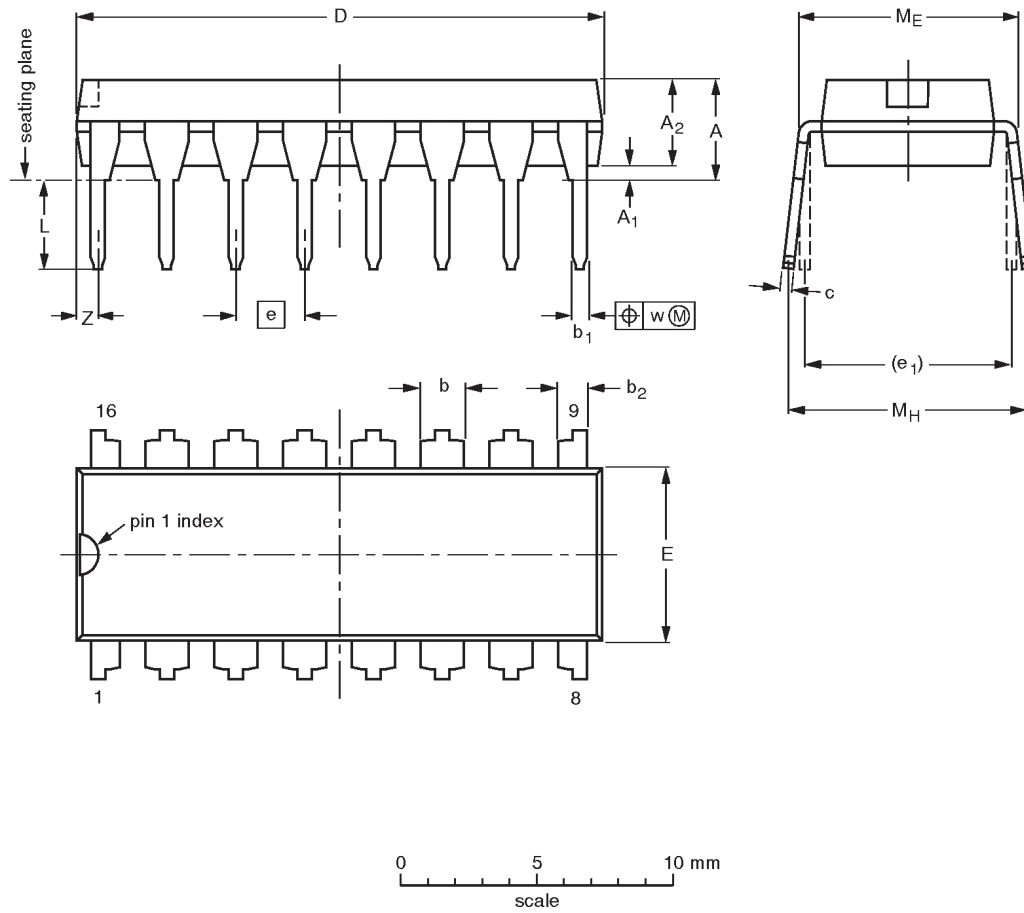
OUTLINE VERSION	REFERENCES				EUROPEAN PROJECTION	ISSUE DATE
	IEC	JEDEC	EIAJ			
SOT162-1	075E03	MS-013				-97-05-22 99-12-27

Quad timer

NE558

DIP16: plastic dual in-line package; 16 leads (300 mil)

SOT38-4



DIMENSIONS (inch dimensions are derived from the original mm dimensions)

UNIT	A max.	A ₁ min.	A ₂ max.	b	b ₁	b ₂	c	D ⁽¹⁾	E ⁽¹⁾	e	e ₁	L	M _E	M _H	w	Z ⁽¹⁾ max.
mm	4.2	0.51	3.2	1.73 1.30	0.53 0.38	1.25 0.85	0.36 0.23	19.50 18.55	6.48 6.20	2.54	7.62	3.60 3.05	8.25 7.80	10.0 8.3	0.254	0.76
inches	0.17	0.020	0.13	0.068 0.051	0.021 0.015	0.049 0.033	0.014 0.009	0.77 0.73	0.26 0.24	0.10	0.30	0.14 0.12	0.32 0.31	0.39 0.33	0.01	0.030

Note

1. Plastic or metal protrusions of 0.25 mm maximum per side are not included.

OUTLINE VERSION	REFERENCES				EUROPEAN PROJECTION	ISSUE DATE
	IEC	JEDEC	EIAJ			
SOT38-4						92-11-17 95-01-14

Quad timer

NE558

Data sheet status

Data sheet status ^[1]	Product status ^[2]	Definitions
Objective data	Development	This data sheet contains data from the objective specification for product development. Philips Semiconductors reserves the right to change the specification in any manner without notice.
Preliminary data	Qualification	This data sheet contains data from the preliminary specification. Supplementary data will be published at a later date. Philips Semiconductors reserves the right to change the specification without notice, in order to improve the design and supply the best possible product.
Product data	Production	This data sheet contains data from the product specification. Philips Semiconductors reserves the right to make changes at any time in order to improve the design, manufacturing and supply. Changes will be communicated according to the Customer Product/Process Change Notification (CPCN) procedure SNW-SQ-650A.

[1] Please consult the most recently issued data sheet before initiating or completing a design.

[2] The product status of the device(s) described in this data sheet may have changed since this data sheet was published. The latest information is available on the Internet at URL <http://www.semiconductors.philips.com>.

Definitions

Short-form specification — The data in a short-form specification is extracted from a full data sheet with the same type number and title. For detailed information see the relevant data sheet or data handbook.

Limiting values definition — Limiting values given are in accordance with the Absolute Maximum Rating System (IEC 60134). Stress above one or more of the limiting values may cause permanent damage to the device. These are stress ratings only and operation of the device at these or at any other conditions above those given in the Characteristics sections of the specification is not implied. Exposure to limiting values for extended periods may affect device reliability.

Application information — Applications that are described herein for any of these products are for illustrative purposes only. Philips Semiconductors make no representation or warranty that such applications will be suitable for the specified use without further testing or modification.

Disclaimers

Life support — These products are not designed for use in life support appliances, devices or systems where malfunction of these products can reasonably be expected to result in personal injury. Philips Semiconductors customers using or selling these products for use in such applications do so at their own risk and agree to fully indemnify Philips Semiconductors for any damages resulting from such application.

Right to make changes — Philips Semiconductors reserves the right to make changes, without notice, in the products, including circuits, standard cells, and/or software, described or contained herein in order to improve design and/or performance. Philips Semiconductors assumes no responsibility or liability for the use of any of these products, conveys no license or title under any patent, copyright, or mask work right to these products, and makes no representations or warranties that these products are free from patent, copyright, or mask work right infringement, unless otherwise specified.

Contact information

For additional information please visit
<http://www.semiconductors.philips.com>. Fax: +31 40 27 24825

© Koninklijke Philips Electronics N.V. 2001
 All rights reserved. Printed in U.S.A.

Date of release: 12-01

For sales offices addresses send e-mail to:
sales.addresses@www.semiconductors.philips.com

Document order number:

9397 750 09164

Let's make things better.