

EE133 Board Layout

Here is a diagram of how you should lay out your boards for the final project. This is only meant to give you an idea of the relative positioning of blocks. Nothing here is drawn to scale. So, use this diagram as a guide, but expect that things may change as the quarter progresses.

Transmitter

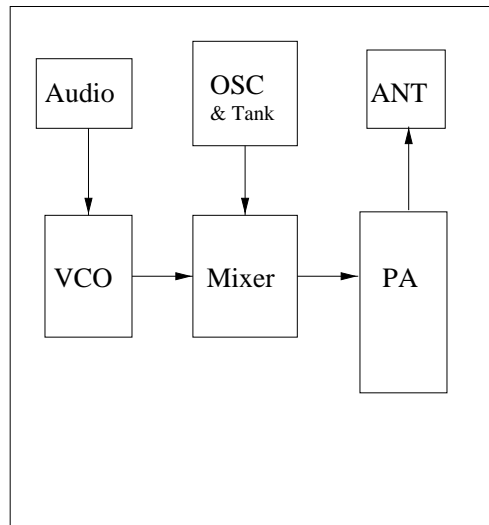


Figure 1: Transmitter Layout

Receiver

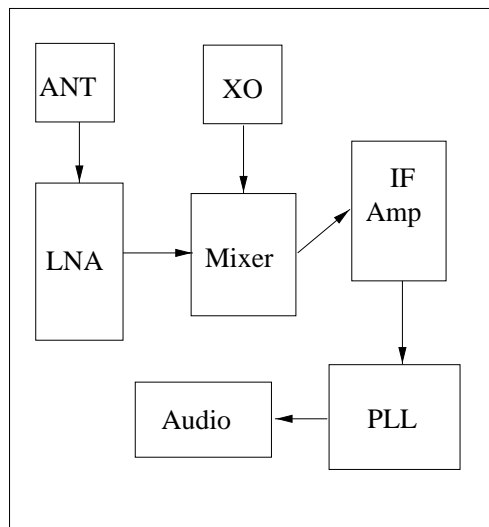


Figure 2: Receiver Layout