

H1 NY PMS 440 0025 PH H2 NY PMS 440 0025 PH H3 NY PMS 440 0025 PH H4 NY PMS 440 0025 PH

H5 1902C H6 1902C H7 1902C H8 1902C

PCB LOGO
Texas Instruments

PCB LOGO
FCC disclaimer

PCB LOGO
Pb-Free Symbol

PCB Number: SV601148
PCB Rev: A



Label Table

Variant	Label Text
001	LMG5200EVM-01A


ZZ1
Label Assembly Note
This Assembly Note is for PCB labels only

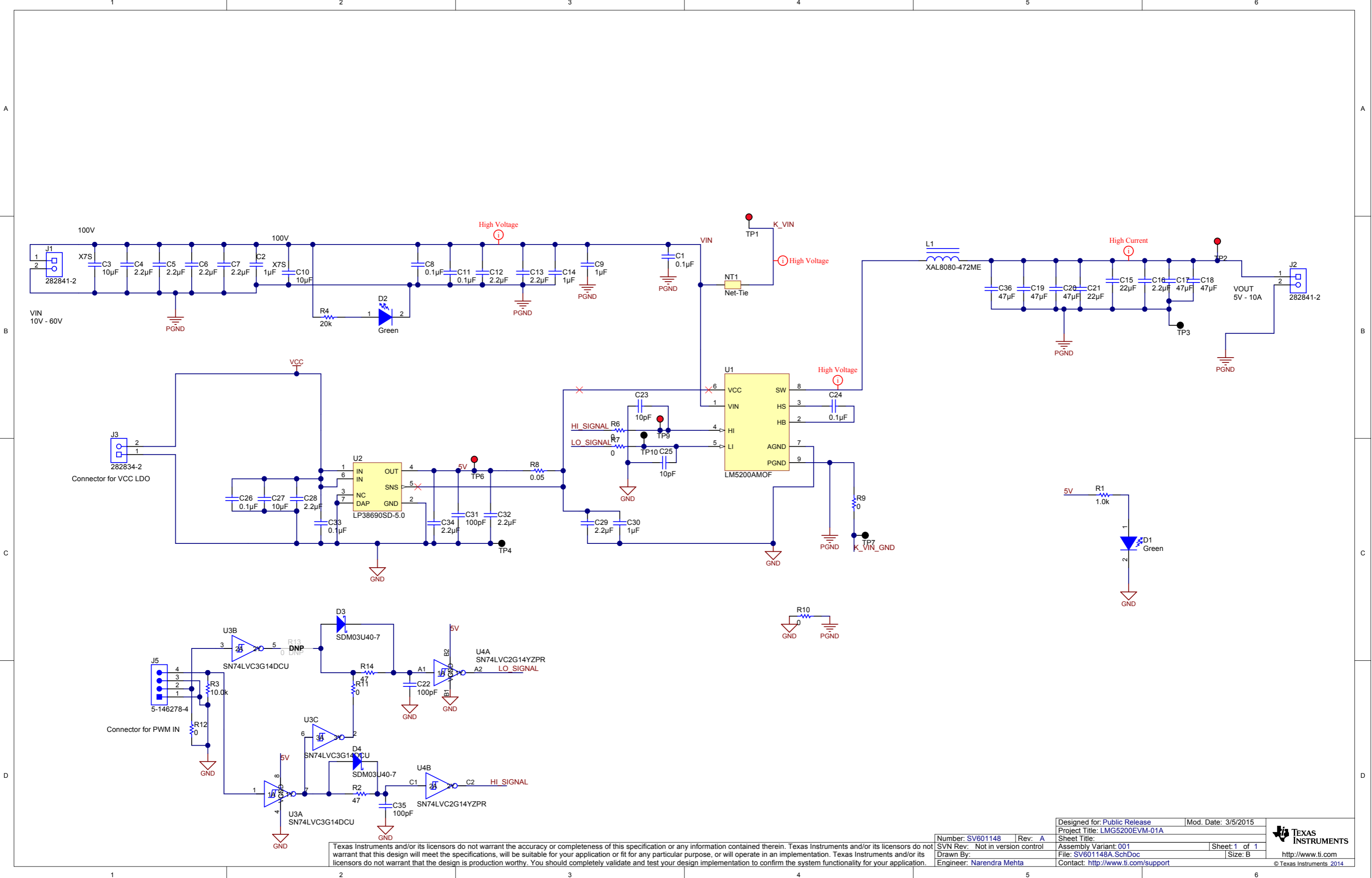
ZZ2
Assembly Note
These assemblies are ESD sensitive, ESD precautions shall be observed.

ZZ3
Assembly Note
These assemblies must be clean and free from flux and all contaminants. Use of no clean flux is not acceptable.

ZZ4
Assembly Note
These assemblies must comply with workmanship standards IPC-A-610 Class 2, unless otherwise specified.

Texas Instruments and/or its licensors do not warrant the accuracy or completeness of this specification or any information contained therein. Texas Instruments and/or its licensors do not warrant that this design will meet the specifications, will be suitable for your application or fit for any particular purpose, or will operate in an implementation. Texas Instruments and/or its licensors do not warrant that the design is production worthy. You should completely validate and test your design implementation to confirm the system functionality for your application.

Designed for: Public Release		Mod. Date: 3/5/2015	
Project Title: LMG5200EVM-01A		Sheet Title:	
Number: SV601148	Rev: A	Assembly Variant: 001	Sheet: 1 of 1
SVN Rev: Not in version control	Drawn By: Narendra Mehta	File: SV601148A_HW.SchDoc	Size: B
Engineer: Narendra Mehta	Contact: http://www.ti.com/support	 http://www.ti.com © Texas Instruments 2014	



Texas Instruments and/or its licensors do not warrant the accuracy or completeness of this specification or any information contained therein. Texas Instruments and/or its licensors do not warrant that this design will meet the specifications, will be suitable for your application or fit for any particular purpose, or will operate in an implementation. Texas Instruments and/or its licensors do not warrant that the design is production worthy. You should completely validate and test your design implementation to confirm the system functionality for your application.

Designed for: Public Release		Mod. Date: 3/5/2015	
Project Title: LMG5200EVM-01A		Sheet Title:	
Number: SV601148	Rev: A	Assembly Variant: 001	Sheet: 1 of 1
SVN Rev: Not in version control		File: SV601148A.SchDoc	Size: B
Drawn By:		Contact: http://www.ti.com/support	
Engineer: Narendra Mehta		© Texas Instruments 2014	

