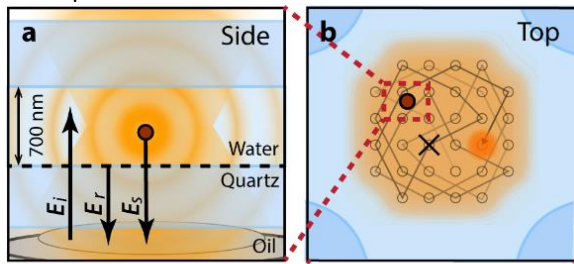


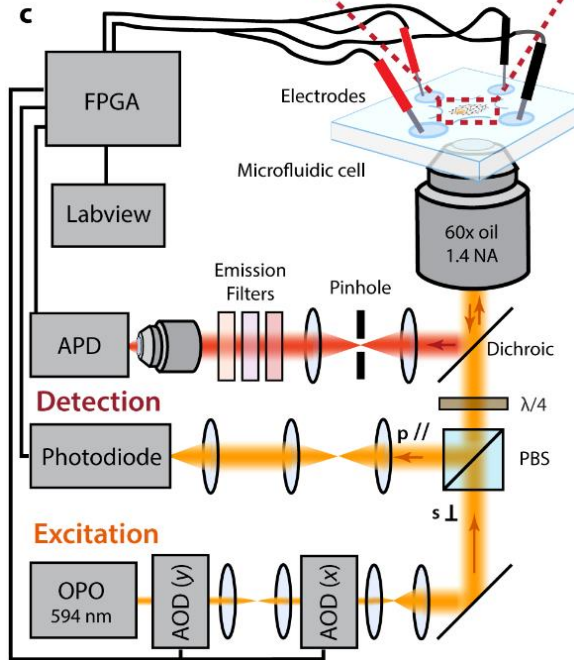
The Interferometric Scattering Anti-Brownian Electrokinetic (ISABEL) trap

Allison Squires, Abhijit Lavania, Peter Dahlberg, and W. E. Moerner

Setup



Interferometric scattering is a sensitive method for the detection of small scattering objects. Here we combine interferometric scattering detection with the ABEL trap to create the ISABEL trap. With the ISABEL trap we can observe fluorescent beads after photobleaching, blinking quantum dots and unlabeled, non-fluorescent samples.



Electrokinetic feedback

